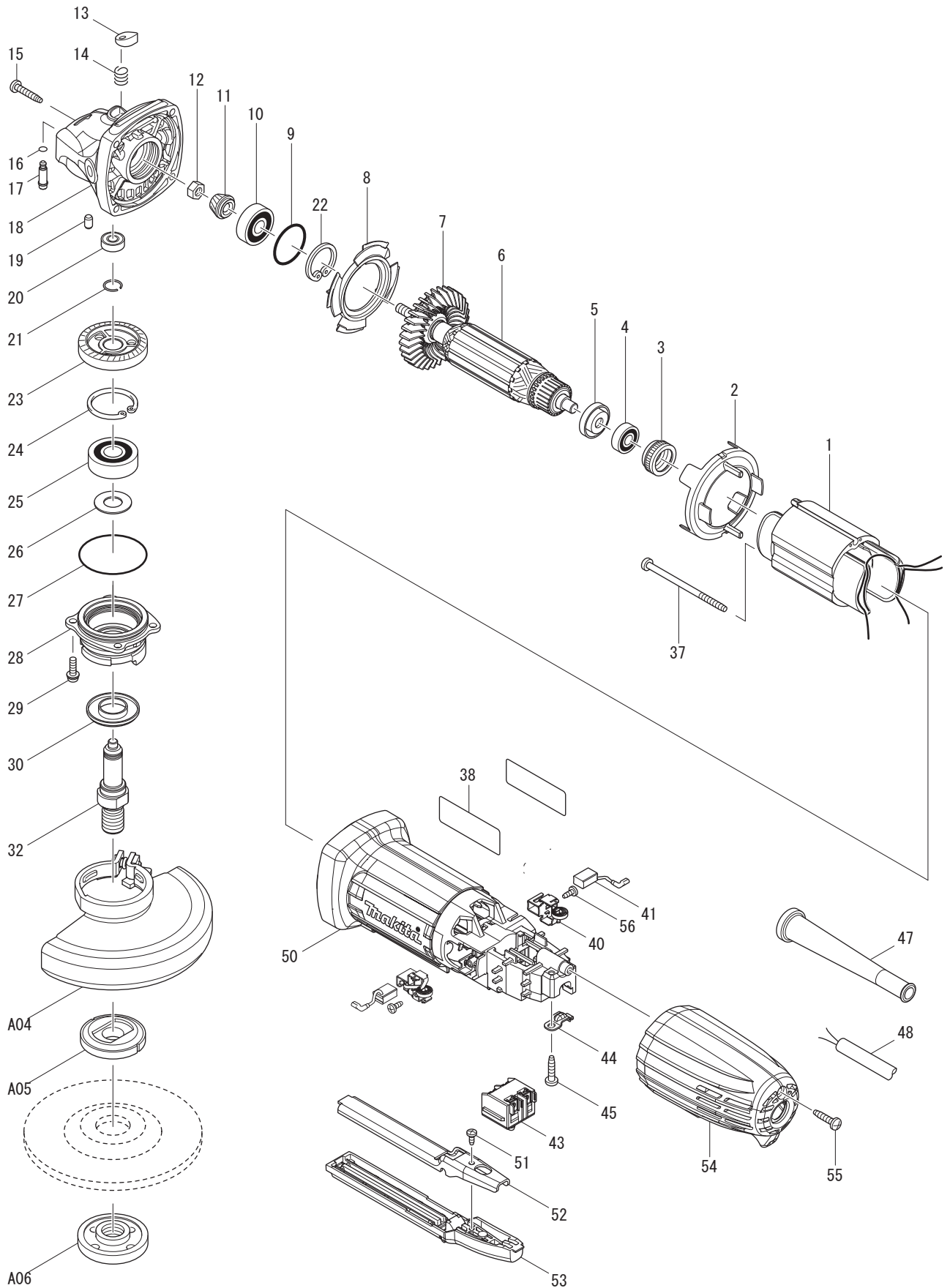




12 - 2011
GA4534
4-1/2" ANGLE GRINDER



Item No.	Type	Sub	Part No.	Description	Qty	Unit
001	2		635111-8	FIELD 115V	1	PC.
002			450796-7	BAFFLE PLATE	1	PC.
003	2		422768-2	LABYRINTH RUBBER RING 19	1	PC.
004			210034-7	BALL BEARING 607LLB	1	PC.
005			681636-0	INSULATION WASHER	1	PC.
006			517646-0	ARMATURE ASS'Y 115V	1	PC.
		INC.		Item No. 4,5,7		
007	1		240107-2	FAN 56	1	PC.
	2		240139-9	FAN 56	1	PC.
008			413126-3	GUIDE PLATE	1	PC.
009			213445-5	O-RING 26	1	PC.
010			211092-6	BALL BEARING 629DDW	1	PC.
011			227545-5	SPIRAL BEVEL GEAR 10	1	PC.
012			252186-8	HEX. NUT M6	1	PC.
013			417771-6	PIN CAP	1	PC.
014			234057-1	COMPRESSION SPRING 8	1	PC.
015			266324-6	TAPPING SCREW 4X22	4	PC.
016			213032-0	O RING 4	1	PC.
017			256510-7	SHOULDER PIN 4	1	PC.
018			318335-8	GEAR HOUSING	1	PC.
019			263002-9	RUBBER PIN 4	1	PC.
020			210033-9	BALL BEARING 696ZZ	1	PC.
021			233950-6	RING SPRING 11	1	PC.
022			962105-3	RETAINING RING R-26	1	PC.
023			227546-3	SPIRAL BEVEL GEAR 37	1	PC.
024			962151-6	RETAINING RING R-32	1	PC.
025			211129-9	BALL BEARING 6201DDW	1	PC.
026	2		267238-2	FLAT WASHER 12	1	PC.
027			213561-3	O RING 42	1	PC.
028			318336-6	BEARING BOX	1	PC.
029			265099-4	PAN HEAD SCREW M4X14	4	PC.
030			345464-4	LABYRINTH RING	1	PC.
032			324955-8	SPINDLE A	1	PC.
037			266325-4	TAPPING SCREW 4X70	2	PC.
038			867619-6	GA4534 NAME PLATE	1	PC.
040			643839-4	BRUSH HOLDER 6X9	2	PC.
041			195025-8	CARBON BRUSH CB-458 2PC/SET	1	SET
043			650579-7	SWITCH 1246.3223, SINGLE	1	PC.
044			687681-3	STRAIN RELIEF	1	PC.
045			266326-2	TAPPING SCREW 4X18	1	PC.
047			682559-5	CORD GUARD 8	1	PC.
048			664891-9	CORD W/PLUG 2-18-2.5M, SJ	1	PC.
050	2		144014-0	MOTOR HOUSING COMPLETE	1	PC.
		INC.	810341-4	CAUTION LABEL (EN/FR/SP)	1	PC.
		INC.	809R73-6	CAUTION LABEL (FR/SP), UL/CSA standards	1	PC.
051			266492-5	TAPPING SCREW 3X8	1	PC.
052			346219-0	PLATE	1	PC.
053			140334-0	SWITCH LEVER B COMPLETE	1	PC.
054	1		451651-6	REAR COVER	1	PC.
	2		413A36-0	REAR COVER	1	PC.
055			266326-2	TAPPING SCREW 4X18	1	PC.
056			266492-5	TAPPING SCREW 3X8	2	PC.
057			891976-0	CLEAR LABEL	1	PC.
C01			873538-6	CARTON	1	PC.
D01			652044-2	+BIND SCREW M3.5X5.0	2	PC.

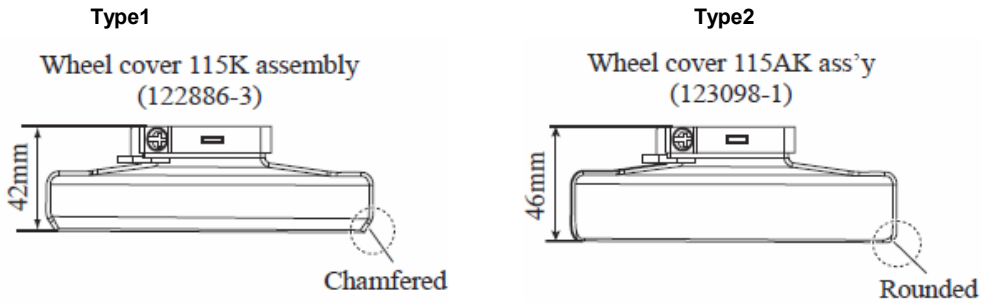
Item No.	Type	Sub	Part No.	Description	Qty	Unit
ACCESSORIES			- See catalogue or visit www.makita.ca for more accessories -			
A01			153504-2	GRIP 36 COMPLETE	1	PC.
	Opt.		194514-0	VIBRATION PROOF GRIP - PKG	1	PC.
A02			782424-9	LOCK NUT WRENCH 28	1	PC.
A03		2	D-20781	4 1/2" D.C.W A24R	1	PC.
		3	A-95956-25	4-1/2" D.C.G.W WA36N 25/PK	1	PC.
	Opt.		-----	DEPRESSED CENTER GRINDING WHEELS		
A04		2	123098-1	WHEEL COVER 115AK ASSY 4-1/2"	1	PC.
		INC.	213009-5	O RING 4	1	PC.
		INC.	265180-1	PAN HEAD SCREW M5X16	1	PC.
A05			224399-1	INNER FLANGE 45	1	PC.
A06			224568-4	LOCK NUT 5/8-45	1	PC.
A07			122910-2	4-1/2" CUT-OFF WHEEL COVER ASSY(D.C.W)	1	PC.
A08			743036-3	RUBBER PAD 100	1	PC.
A09			B-38526	4-1/2" 2IN1 ABRASIVE DISC A36T	1	PC.
A10			193048-0	SANDING LOCK NUT 5/8-48	1	PC.

SERVICE CHANGES

1. Changes on Wheel Cover Assembly

(TI#A5003)

Item No.	Description	Type 1	Type2
A05	Wheel Cover 115K Assy	122886-3	-----
	Wheel Cover 115AK Assy	-----	123098-1



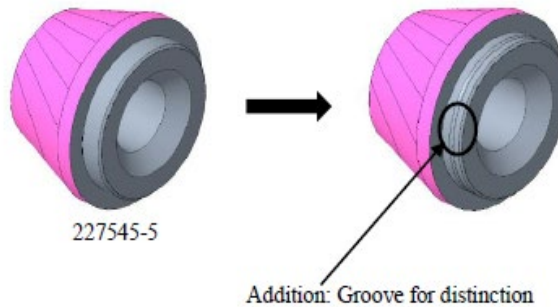
2. Changes on Spiral Bevel Gear 10 and Spiral Bevel Gear 37

(T/I#DJ258)

Item No.	Description	Type 1	Type 2
11	SPIRAL BEVEL GEAR10	227545-5	227545-5
23	SPIRAL BEVEL GEAR37	227545-5	227545-5

Above parts are completely interchangeable as a set.

[1] Spiral bevel gear 10



[2] Spiral bevel gear 37

